



EQUIPAGGIAMENTI
TECNICI
LAVAGGIO

30.6030.00
PISTOLA VAPORE RV23
STEAM GUN RV23

(I)

(GB)

1

24/09/08

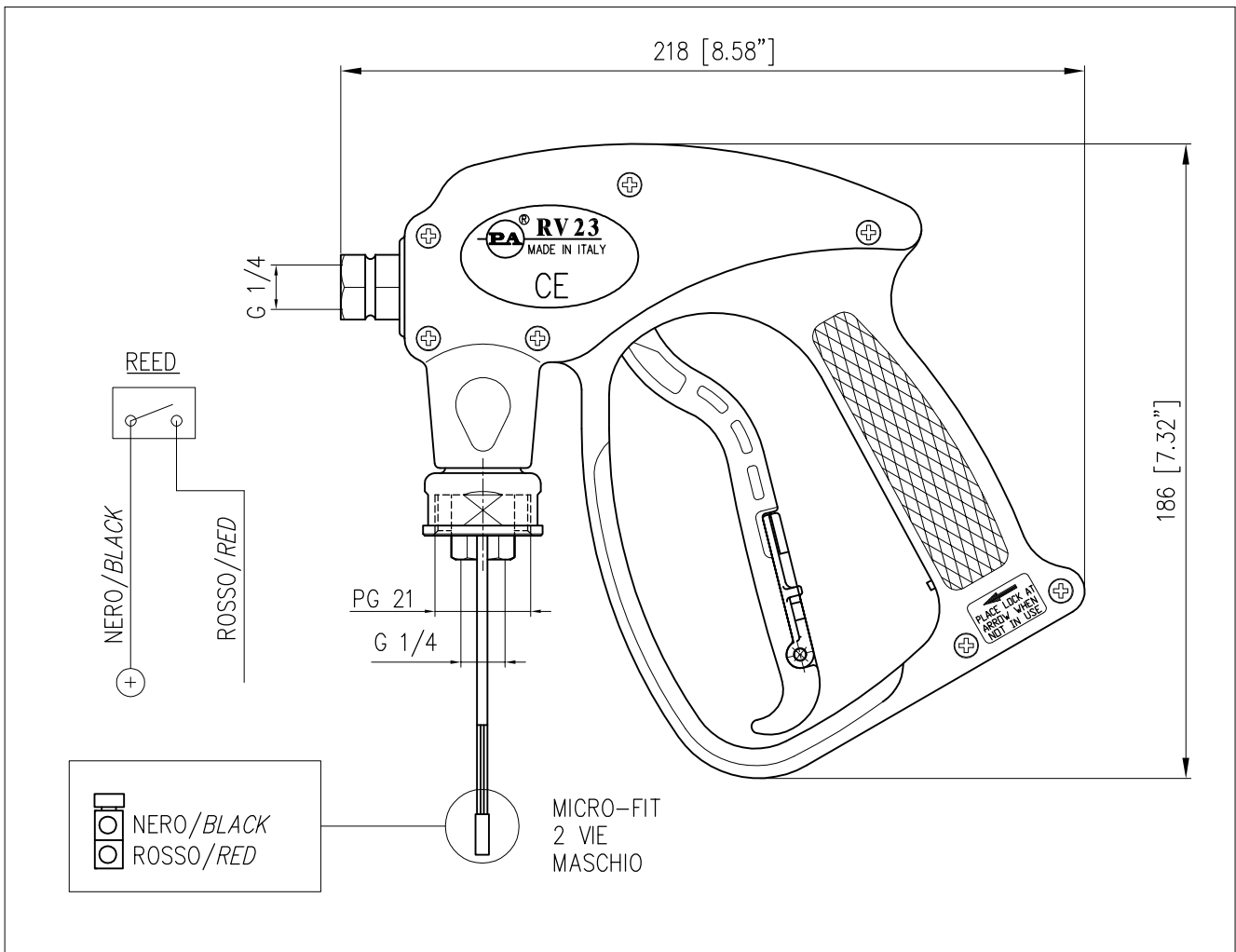


SPECIFICHE TECNICHE
SPECIFICATION

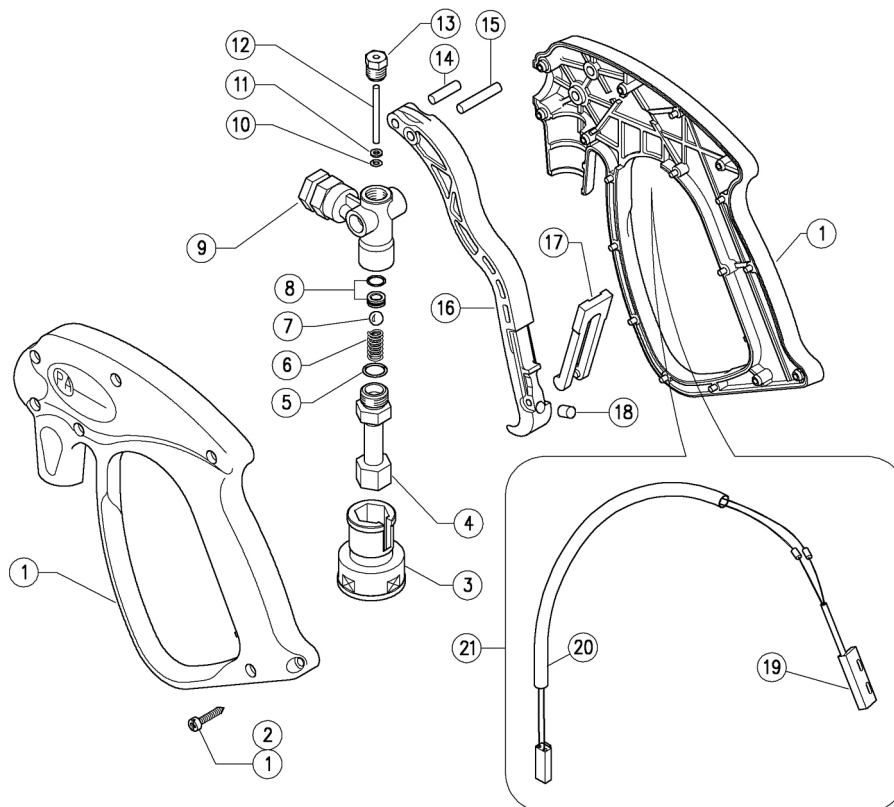
- PRESSIONE NOMINALE RATED PRESSURE	10 bar - 1 MPa (145 psi)
- PORTATA MASSIMA MAX FLOW RATE	35 Kg/h (77 lb/h)
- TEMPERATURA MASSIMA MAX WORKING TEMPERATURE	180° C (356 °F)
- INTERRUOTORE MAGNETICO CON AMPOLLA REED MAGNETIC REED SWITCH	MAX. (I =0.5A V =48V P =10VA) Classe di protezione IP 67 Protection class IP 67
- SCOCCA IN MATERIALE ANTIURTO E RESISTENTE AL CALORE HOUSING MATERIAL HEAT RESISTANT AND SHOCKPROOF	
- NESSUNA TRASMISSIONE DI CALORE ALLA MANO DELL'OPERATORE NO TRANSMISSION OF HEAT TO THE OPERATORS HAND	
- GRADO DI PROTEZIONE: IPX3 PROTECTION DEGREE: IPX3	- CLASSE DI PROTEZIONE: III PROTECTION CLASS: III

MISURE D'INGOMBRO

OVERALL DIMENSIONS

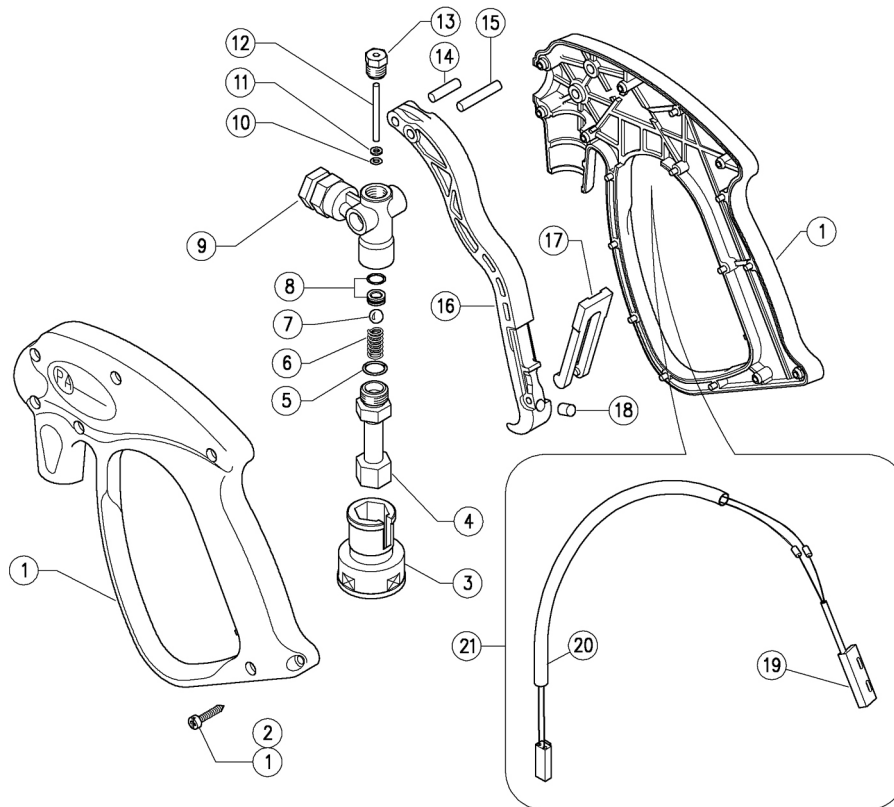


30.6030.00 RV 23 Pist. Vapore G1/4 F + 1 interr.



Pos.	Codice	Descrizione	Q.tà	K1	K2	K3	K4		Pos.	Codice	Descrizione	Q.tà	K1	K2	K3	K4	
1	30.6033.24	Kit scocca RV 23 +viti	1					1	11	10.4018.00	An. anties. 3,2x7,5x1,2 mm	1					10
2	16.3075.51	Vite autofil. DIN7981 3,5x18 mm inox	7					10	12	30.0411.51	Pistone 3 mm inox	1					10
3	30.6104.84	Raccordo protezione termica, plast.	1					5	13	30.4115.31	Tappo ant. M10x1 ott.	1					10
4	30.6106.31	Nipplo RV23 G1/4 F	1					5	14	30.0412.51	Spina cil. 5x20mm inox	1					10
5	10.3020.10	An.OR 1,5x10 mm Vi 70	1					10	15	30.4114.51	Spina cil. 5x33 mm inox	1					10
6	30.0001.51	Molla 1,4x7,8x13,5 mm inox	1					10	16	30.6107.84	Leva RV23 nera forata	1					10
7	14.7448.00	Sfera 5/16" inox	1					10	17	30.1510.84	Sicura PA rossa	1					10
8	30.6112.20	Sede 6x10,5 mm +Or Viton	1					10	18	30.5821.51	Magnete 5x8 mm	1					5
9	30.6105.35	Corpo RV23 G1/4 F ott.	1					3	21	12.5024.02	Cavo 2x0,5 + guaina +sensore	1					3
10	10.3165.00	An.OR 2,62x2,84 mm Vi 70	1					10									

30.6030.00 RV 23 Steam gun 1/4F Bsp + 1 magnet.



Pos.	P/N	Description	Q.ty	K1	K2	K3	K4		Pos.	P/N	Description	Q.ty	K1	K2	K3	K4	
1	30.6033.24	Casing-Kit RV23 +screws	1					1	11	10.4018.00	Back-up ring, 3,2x7,5x1,2 mm	1					10
2	16.3075.51	S/tapping screw, DIN7981 3,5x18 mm Sst.	7					10	12	30.0411.51	Piston, 3 mm Sst.	1					10
3	30.6104.84	Thermo-protection coupling, plast.	1					5	13	30.4115.31	Front Plug, M10x1 brass	1					10
4	30.6106.31	Coupl. -RV23 1/4 Bsp F bras.	1					5	14	30.0412.51	Sst.parallel pin, 5x20mm	1					10
5	10.3020.10	O-ring, 1,5x10 mm Vi 70	1					10	15	30.4114.51	Parallel pin, 5x33 mm Sst.	1					10
6	30.0001.51	Spring, 1,4x7,8x13,5 mm Sst.	1					10	16	30.6107.84	Trigger -RV23 black, pierced	1					10
7	14.7448.00	Ball, 5/16" Sst.	1					10	17	30.1510.84	Safety latch, PA red	1					10
8	30.6112.20	Seat, 6x10,5 mm + O-ring, Viton	1					10	18	30.5821.51	Magnet, 5x8 mm	1					5
9	30.6105.35	Housing -RV23 1/4 BSP F brass	1					3	21	12.5024.02	Cable 2x0,5 + case + sensor	1					3
10	10.3165.00	O-ring, 2,62x2,84 mm Vi 70	1					10									



P.A. S.p.A.

Via Milano, 13
42048 Rubiera, Reggio Emilia - Italy

Tel +39.0522.623611
Fax +39.0522.629600

info@pa-etl.it

www.pa-etl.it



COMPANY WITH QUALITY MANAGEMENT
SYSTEM CERTIFIED BY DNV
= ISO 9001 =